



Quality Makes the Difference

PRODUCT LINE OVERVIEW

Ground Engaging Tools

CEP INTERNATIONAL LTD.

Room 909 shanghai trade center, 800 Quyang Road, Shanghai 200437, China

Tel. +86 21 35072228 Fax +86 21 35073770

Email: sales@cep-intl.com

www.cep-intl.com

All manufacturer's names, numbers, symbols and descriptions are for reference only. It is not implied that any part is the product of these manufacturers. All trade marks are the property of the respective manufacturers.

For CAT Machines

BULLDOZER CUTTING EDGE

NO.	PART NO.	BASIC SIZE
1	4T8799	254*25*998.4
2	8294669	203*20*756
3	3G4282	203*20*1052.4
4	9W1878	254*20*1227.3
5	3G9306	203*20*884
6	4T3422	254*25*1095
7	4T2973	203*16*859
8	4T2994	254*25*1215
9	8294269	203*20*1060
10	4T2985	254*25*801.6
11	4T2988	254*25*1034.4
12	4T2989	254*25*1062
13	4T3004	203*20*1441
14	4T3009	203*20*1520
15	4T6515	254*25*1773
16	4T2948	254*20*1062
17	4T6659	20*203*1052
18	6J7116	25*254*1533
19	1006668	30*360*1399.5
20	1U0593	30*360*1319
21	1399230	30*360*1280
22	1U1909	30*360*1260
23	1U0601	30*360*1210
24	1U0761	40*556*265
25	7T9125	35*330*803.1
26	9W6092	35*330*900
27	7T5702	35*330*1787.4
28	7T9127	35*330*824.1
29	7T9126	35*330*1353.2
30	9W4398	35*330*800
31	9W4500	35*330*1039.4
32	9W4502	35*330*1222.8
33	9W1375	35*406*1524
34	9V0170	40*580*3085
35	9V0169	35*607*2870

GRADER BLADES

NO.	PART NO.	BASIC SIZE
1	4T2233	G/BLADE 1"*8"*7'(15#3/4")
2	4T2236	G/BLADE 1"*8"*8'(17#3/4")
3	4T6511	G/BLADE PLANE 1"*10"*8'(17#3/4")
4	5D9556	G/BLADE 3/4"*6"*6'(13#3/4")
5	5D9557	G/BLADE 3/4"*6"*7'(15#3/4")
6	5B5564	G/BLADE 5/8"*6"*6'(8#5/8")
7	5D9553	G/BLADE 5/8"*6"*6'(13#5/8")
8	5D9554	G/BLADE 5/8"*6"*7'(15#5/8")
9	5D9558	G/BLADE 3/4"*8"*6'(13#5/8")
10	5D9559	G/BLADE 3/4"*8"*7'(15#5/8")
11	5D9561	G/BLADE 5/8"*8"*7'(15#5/8")
12	5D9562	G/BLADE 5/8"*8"*6'(13#5/8")
13	7D1577	G/BLADE 3/4"*8"*7'(15#3/4")
14	7D1158	G/BLADE 5/8"*8"*7'(15#3/4")
15	7D1949	G/BLADE 3/4"*8"*8'(17#3/4")
16	7D4508	G/BLADE 5/8"*6"*5'(11#5/8")
17	5D9561	G/BLADE 5/8"*8"*7'(15#5/8")
18	5D9562	G/BLADE 5/8"*8"*7'(15#5/8")
19	3G796	G/BLADE 3/4"*6"*5'(7#5/8")
20	5D9556	G/BLADE 3/4"*6"*6'(8#5/8")

BULLDOZER END BITS

NO.	PART NO.	BASIC SIZE
1	73117714	25MM THICKNESS
2	73117713	25MM THICKNESS
3	3G8289	30MM THICKNESS
4	3G8290	30MM THICKNESS
5	3G8297	25MM THICKNESS
6	3G8298	25MM THICKNESS
7	3G8301	30MM THICKNESS
8	3G8302	30MM THICKNESS
9	3G8315	30MM THICKNESS
10	3G8316	30MM THICKNESS
11	3G8319	25MM THICKNESS
12	3G8320	25MM THICKNESS
13	9W6198	38MM THICKNESS
14	9W6199	38MM THICKNESS

GRADER END BITS

NO.	PART NO.	BASIC SIZE
1	6D1904	13MM THICKNESS
2	6D1948	13MM THICKNESS
3	7D9999	13MM THICKNESS
4	7D2052	13MM THICKNESS

LOADER END BITS

NO.	PART NO.	BASIC SIZE
1	3G6395	38*510*200
2	4T8101	30*496*170
3	4T8091	25*342*160
4	1359648	30*360*210
5	4T3015	30*360*256
6	4T6691	25*280*175
7	4T6692	25*280*195
8	4T6693	25*280*210
9	4T6694	25*280*225
10	4T6695	25*280*265
11	4T6696	30*360*190
12	4T6698	30*360*240
13	4T6699	30*360*270
14	4T6700	30*360*290

TOOTH

NO.	PART NO.	DESCRIPTION
1	1U1867	UNITOOTH
2	1U3201	SHORT
3	1U3202	LONG
4	1U3202T	TIGER
5	1U3202WT	TWIN TIGER
6	1U3251	SHORT
7	1U3252	LONG
8	1U3252T	TIGER
9	1U3252WT	TWIN TIGER
10	1U3301	SHORT
11	1U3302	LONG
12	1U3302T	TIGER
13	1U3302WT	TWIN TIGER
14	1U3351	SHORT
15	1U3352	LONG
16	1U3352RC	ROCK CHISEL
17	1U3352T	TIGER
18	1U3352WT	TWIN TIGER

19	1U3451	SHORT
20	1U3452	LONG
21	1U3452RC	ROCK CHISEL
22	1U3452T	TIGER
23	1U3452WT	TWIN TIGER
24	1U3551	SHORT
25	1U3552	LONG
26	1U3552RC	ROCK CHISEL
27	1U3552T	TIGER
28	1U3552WT	TWIN TIGER
29	2D5572	SCARIFIER TIP
30	3G8250	FLARE OLD STYLE
31	4T1300	FLARE OLD STYLE
32	4T2253	ABRASION
33	4T2303	ABRASION
34	4T2353	ABRASION
35	4T5452	RIPPER TOOTH
36	6I6602	LONG
37	6I6602RC	ROCK CHISEL
38	6I6602T	TIGER
39	6I6602WT	TWIN TIGER
40	6Y0352	RIPPER TOOTH
41	6Y0359	RIPPER TOOTH
42	6Y2553	HEAVY DUTY ABRASION
43	6Y3222	LONG
44	6Y5230	SCARIFIER TIP
45	7T3402	LONG
46	7T3402T	TIGER
47	7T3402WT	TWIN TIGER
48	8E4402	HEAVY DUTY LONG
49	8J3350	FLARE OLD STYLE
50	9J4309	PENETRATING
51	9J4359	PENETRATING
52	9J4459	PENETRATING
53	9J4552	LONG
54	9J4559	PENETRATING
55	9N4252	HEAVY DUTY LONG
56	9N4253	HEAVY DUTY ABRASION
57	9N4302	HEAVY DUTY LONG
58	9N4303	HEAVY DUTY ABRASION
59	9N4352	HEAVY DUTY LONG
60	9N4353	HEAVY DUTY ABRASION
61	9N4452	HEAVY DUTY LONG

62	9N4453	HEAVY DUTY ABRASION
63	9N4552	HEAVY DUTY LONG
64	9W1453	ABRASION
65	9W1553	ABRASION
66	9W2452A	RIPPER TOOTH
67	9W8451	SHORT
68	9W8452	LONG
69	9W8459	PENETRATING
70	9W8551	SHORT
71	9W8552	LONG
72	9W8559	PENETRATING

ADAPTER

NO.	PART NO.	DESCRIPTION
1	1U0257	CENTER-BOLT ON
2	1U0307	CENTER-BOLT ON
3	1U1254	CENTER-FLUSH MOUNT
4	1U1304	CENTER-BOTTOM STRAP
5	1U1354	CENTER-FLUSH MOUNT
6	1U1357	CENTER-BOLT ON
7	1U1454	CENTER-TWO STRAP
8	1U1553	CENTER-TWO STRAP
9	1U1555	CORNER-TWO STRAP
10	1U1556	CORNER-TWO STRAP
11	1U2208	CORNER-BOLT ON
12	1U2209	CORNER-BOLT ON
13	3G0169	CENTER-BOTTOM LEG
14	3G3357	CENTER-BOLT ON
15	3G3358	CORNER-BOLT ON
16	3G3359	CORNER-BOLT ON
17	3G4258	CORNER-BOLT ON
18	3G4259	CORNER-BOLT ON
19	3G4308	CORNER-BOLT ON
20	3G4309	CORNER-BOLT ON
21	3G4554	CENTER-FLUSH MOUNT
22	3G6304	CENTER-TWO STRAP
23	3G6305	CORNER-TWO STRAP
24	3G6306	CORNER-TWO STRAP
25	3G8354	CENTER-TWO STRAP
26	3G8355	CORNER-TWO STRAP
27	3G8356	CORNER-TWO STRAP
28	4T4307	CENTER-BOLT ON
29	6Y3254	CENTER- TWO STRAP
30	6I6404	CENTER- TWO STRAP

31	6I6604	CENTER- TWO STRAP
32	6I6464	CENTER- TWO STRAP
33	6I6554	CENTER- TWO STRAP
34	6I9250	CORNER-BOLT ON
35	6I9251	CORNER-BOLT ON
36	7J9554	CENTER-FLUSH MOUNT
37	7T3404	CENTER- TWO STRAP
38	8E6464	CENTER-TWO STRAP
39	8E6465	CORNER-TWO STRAP
40	8E6466	CORNER-TWO STRAP
41	8E5308	CORNER-BOLT ON
42	8E5309	CORNER-BOLT ON
43	8E5358	CORNER-BOLT ON
44	8E5359	CORNER-BOLT ON
45	8J6656	CENTER-BOLT ON
46	8J7525	CENTER-BOTTOM LEG
47	9J2307	SCRAPER
48	9J4207	CENTER-BOLT ON
49	9J9584	CENTER-FLUSH MOUNT

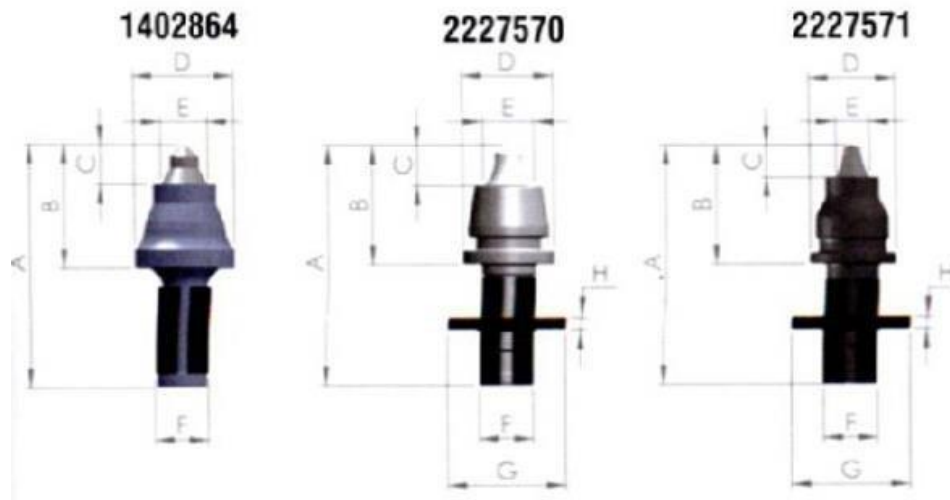
MISCELLANEOUS

NO.	PART NO.	DESCRIPTION
1	6J8814	SHANK GUARD
2	5V4311	CLEANER BAR
3	9F5124	SHANK

PIN & RETAINER

Model	PIN NO.	RETAINER NO.
J200	8E6208	8E6209
J225	6Y3228	8E6259
J250	8E6258	8E6259
J300	9J2308	8E6259
J350	8E6358	8E6359
J400	7T3408	8E8409
J450	1U1458	8E6359
J460	8E0468	8E8439
J550	6Y8558	8E5559
J600	6I6608	6I6609
J700	4T4708	4T4707
J800	1341808	1341809

BIT CUTTERS



PART NO.	DIMENSIONS(MM)							
	A	B	C	D	E	F	G	H
1402864	87	46	15	38	17	20	-	-
2227570	88	45	16	34	17	20	44	4
2227571	88	45	13	32	13	20	44	4
PART NO.	MACHINE MODEL							
1402864	RM-250C,PM-465,RR-250,RM-330,PM201,RM-500,RM-350,PM-565B							
2227570	PM-201							
2227571	T6B,T9B,T15B,PC205B,PC408B,PC412B,PC404							

For KOMATSU machines

TEETH AND ADAPTERS

NO	PARTS NO	DESCRIPTION
1	203-70-43150	TIP
2	205-70-74272	
3	205-70-19570	
4	207-70-34211	
5	207-70-14151	
6	208-70-34210	
7	208-70-14152	TOOTH
8	209-72-14150	POINT
9	209-70-54210	TIP
10	426-874-11103	ADAPTER
11	203-70-43321	
12	205-70-74261	
13	205-939-71202	ADAPTER
14	207-70-34151	
15	207-939-3120	
16	208-70-34150	
17	208-939-3120	
18	209-72-54420	
19	209-70-54143	
20	426-874-1121	
21	426-848-1121	End ADAPTER
22	426-848-1131	PIN LOCK
23	205-70-74281	
24	205-70-74281	
25	09244-02496	
26	207-70-34221	
27	09244-02516	
28	208-70-34220	
29	09244-03036	
30	209-72-14160	
31	209-70-54240	
32	205-70-74291	
33	208-70-34190	
34	209-72-14170	
35	423-70-13114	UNI-TOOTH
36	423-70-13154	END UNI-TOOTH
37	423-70-13144	RIPPER TIP
38	154-76-14361	

39	175-78-31230	
40	150-70-21356	END EDGE
41	150-70-21360	END EDGE

CUTTING EDGES & END BITS

NO.	PART NO.	BASIC SIZE
1	130-70-41130	19*203*1350
2	130-Z20-1510	19*203*1255
3	144-70-11131	20*203*1663.7
4	144-920-1120	20*203*1382
5	154-70-11313	25*254*1156
6	154-70-11314	25*254*1156
7	154-81-11190	25*254*837
8	175-70-26310	25*254*1062
9	150-70-21346	30MM THICKNESS
10	150-70-21356	30MM THICKNESS
11	140-70-11180	25MM THICKNESS
12	140-70-11170	25MM THICKNESS
13	175-71-22272	38MM THICKNESS
14	175-71-22282	38MM THICKNESS
15	175-70-21126	30MM THICKNESS
16	175-70-21136	30MM THICKNESS
17	17M-71-21930	38MM THICKNESS
18	17M-71-21940	38MM THICKNESS
19	232-70-52190	13MM THICKNESS
20	232-70-12150	13MM THICKNESS
21	232-70-12160	13MM THICKNESS

PIN & RETAINER

NO.	Model.	Pin NO.
1	PC100	20X-70-00100
2	PC120	09244-02489
3	PC200	09244-02496
4	PC220	09244-02508
5	PC300	09244-02516
6	PC400	09244-03036
7	PC650	209-70-54240
8	PC1250	21N-72-14330
9		175-78-21740
10		175-78-21810
11		195-78-71360
12		198-78-21340
13		198-78-21410
14		427-70-13770
15		427-70-13970

